



Delta P Carver

Creating Value.

- Designed for Noise Sensitive Locations - Hotels/Condos/Hospitals
- Wall mounted or Designed to Specification
- 304 SS Construction for Indoor or Outdoor Mounting
- Ideal for Buildings Over 15 Floors with Limited Space
- High Pressure Booster System for Applications up to 1000 Feet TDH
- 1 Year Warranty
- Variable Speed Drives



Quiet Pak

Domestic Water Booster Systems

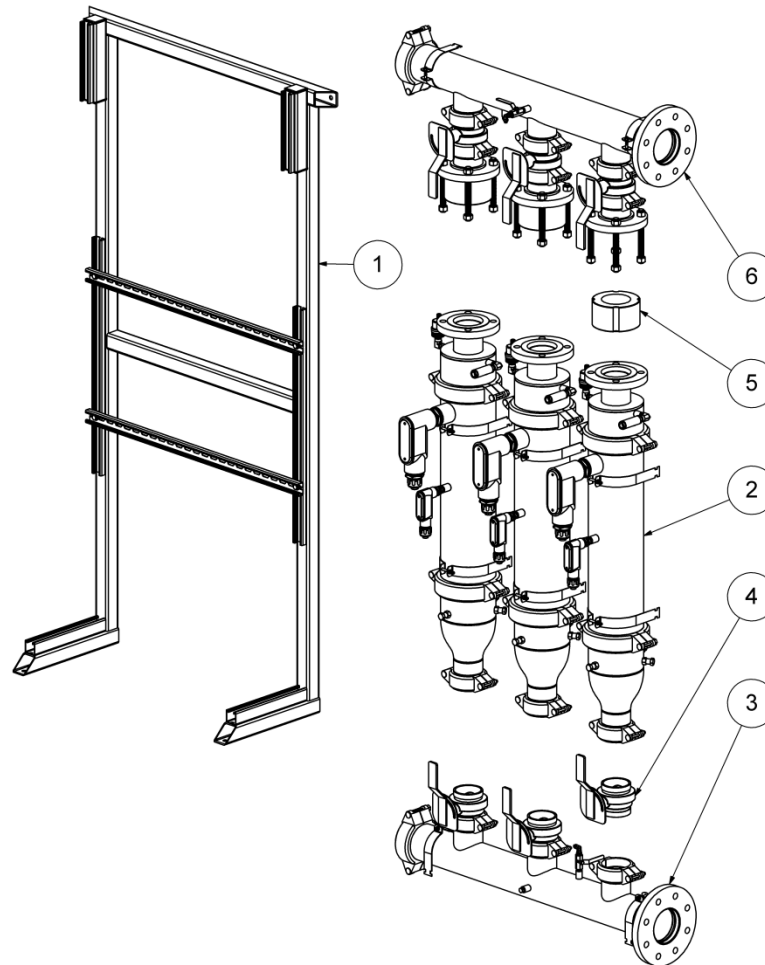
Custom Engineered for Reliability & Efficiency

www.deltapcarver.com

sales@deltapcarver.com

Among its many advantages, the Quiet Pak offers the technical design features of:

- ▲ Pre-engineered standard system (Simplex, Duplex and Triplex)
- ▲ Programmable set points
- ▲ VFD controls
- ▲ 3 phase (208-230/460) power
- ▲ Simple system design with a pressure transducer and gauge
- ▲ Pumps and motors* certified to NSF/ANSI 61 & 372
- ▲ Flows up to 900 Gallons per minute



ITEM NO.	DESCRIPTION
1	FRAME
2	SLEEVE ASSEMBLY
3	SUCTION MANIFOLD

ITEM NO.	DESCRIPTION
4	BUTTERFLY ISOLATION VALVE
5	WAFER CHECK VALVE
6	DISCHARGE MANIFOLD

*Motors certified by UL to NSF/ANSI 61 & 372