



# Delta P Carver

*Creating Value.*



- Low Operating Cost
- High Head Low Flow Rates
- Any Replacement or Retrofit
- 304 SS Frames & Manifolds
- Variable Speed Drives
- 3 Year Warranty
- 4 - 10 inch Choice for LCD Color Touch Screens



## Delta Pak – VM

**Domestic Water Booster Systems**

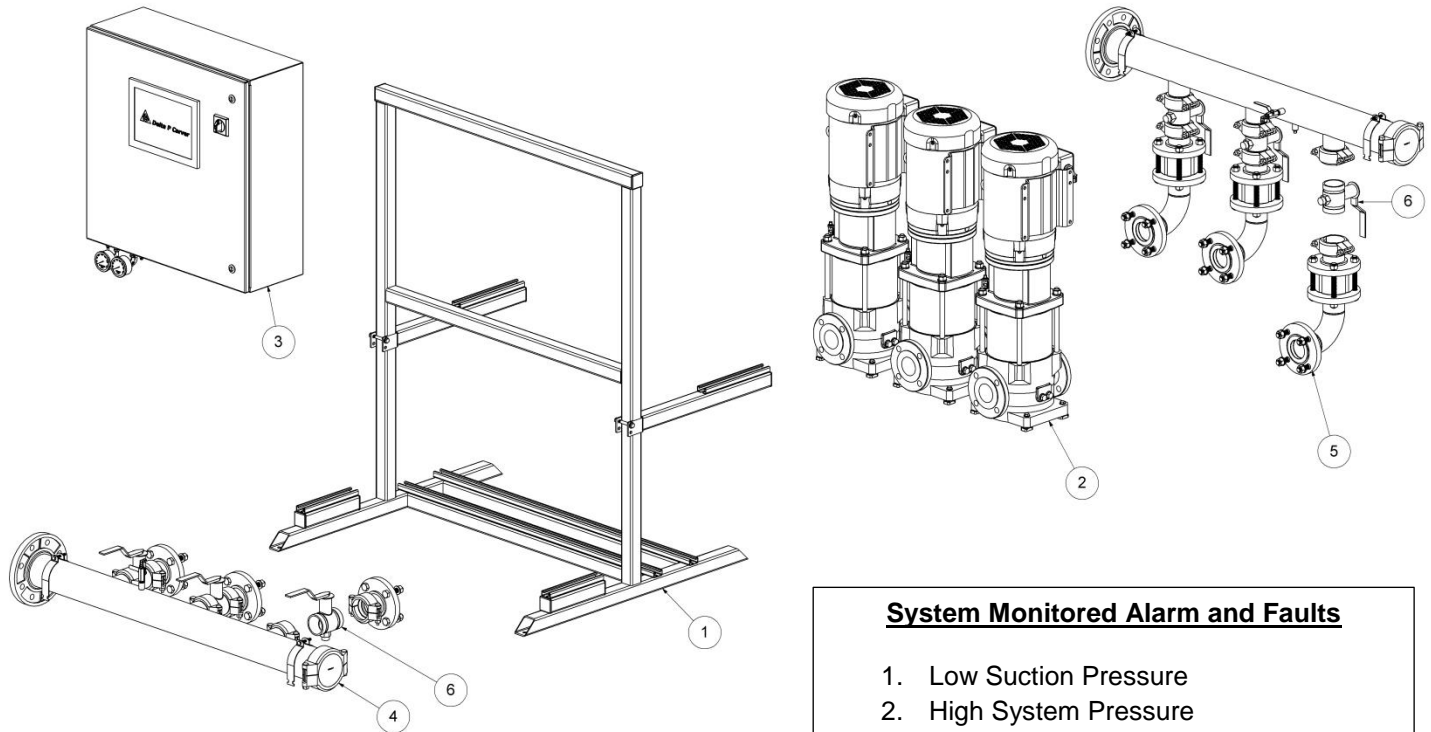
**Custom Engineered for Reliability & Efficiency**

[www.deltapcarver.com](http://www.deltapcarver.com)

[sales@deltapcarver.com](mailto:sales@deltapcarver.com)

Among its many advantages, the Delta Pak - VM offers the technical design features of:

- ▲ Single Point Power Main Disconnect
- ▲ Manual Motor Protector (MMP) 65KAIC
- ▲ VFD Controls with Programable Set Points
- ▲ NSF 61/372 System Certification
- ▲ All Valves are NSF Certified
- ▲ Control Panel is 508A
- ▲ Individual VFD per Pump
- ▲ Low Voltage – 24V DC Touch Safe Controls
- ▲ PLC with Ethernet Capability, Building Communication (BACnet, LONWORKS and More)
- ▲ Simplex, Duplex, Triplex, and Quadraplex
- ▲ Thermo Relief Valve per Pump
- ▲ Max System Temperature 248° F
- ▲ Inlet and Outlet Connection Rolled Groove Flange (Welded Flange Optional)
- ▲ 3 Year System Warranty



**System Monitored Alarm and Faults**

1. Low Suction Pressure
2. High System Pressure
3. VFD Fault
4. Secondary High System Pressure

ITEM NO.	DESCRIPTION
1	Frame Assembly
2	Pump Assembly
3	Control Pak

ITEM NO.	DESCRIPTION
4	Manifold Assembly Suction (600 PSI)
5	Manifold Assembly Discharge (600 PSI)
6	Stainless Steel Internal Butterfly Isolation Valve (150/300 PSI)