



# Delta P Carver

*Creating Value.*



Pump and Tank Certified to  
NSF/ANSI 61

- Simplex Units
- Flow Rates  
15 – 100 GPM
- Boosts  
5 – 65 PSI
- Bladder Tank  
5 – 20 Gallons
- Variable Speed  
Drives
- 1 Year Warranty



## Mini Pak

### **Domestic Water Booster Systems**

**Custom Engineered for Reliability & Efficiency**

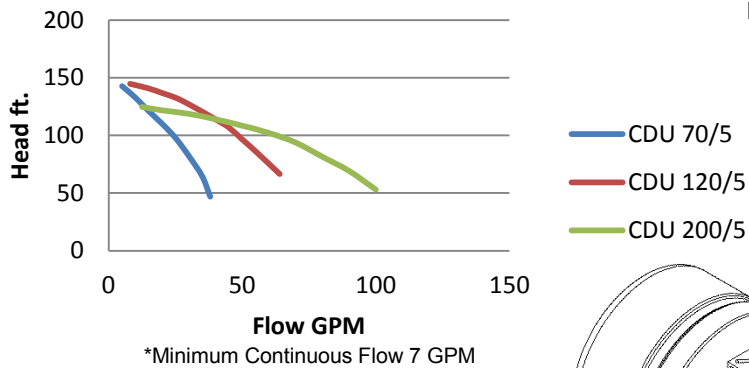
[www.deltapcarver.com](http://www.deltapcarver.com)

[sales@deltapcarver.com](mailto:sales@deltapcarver.com)

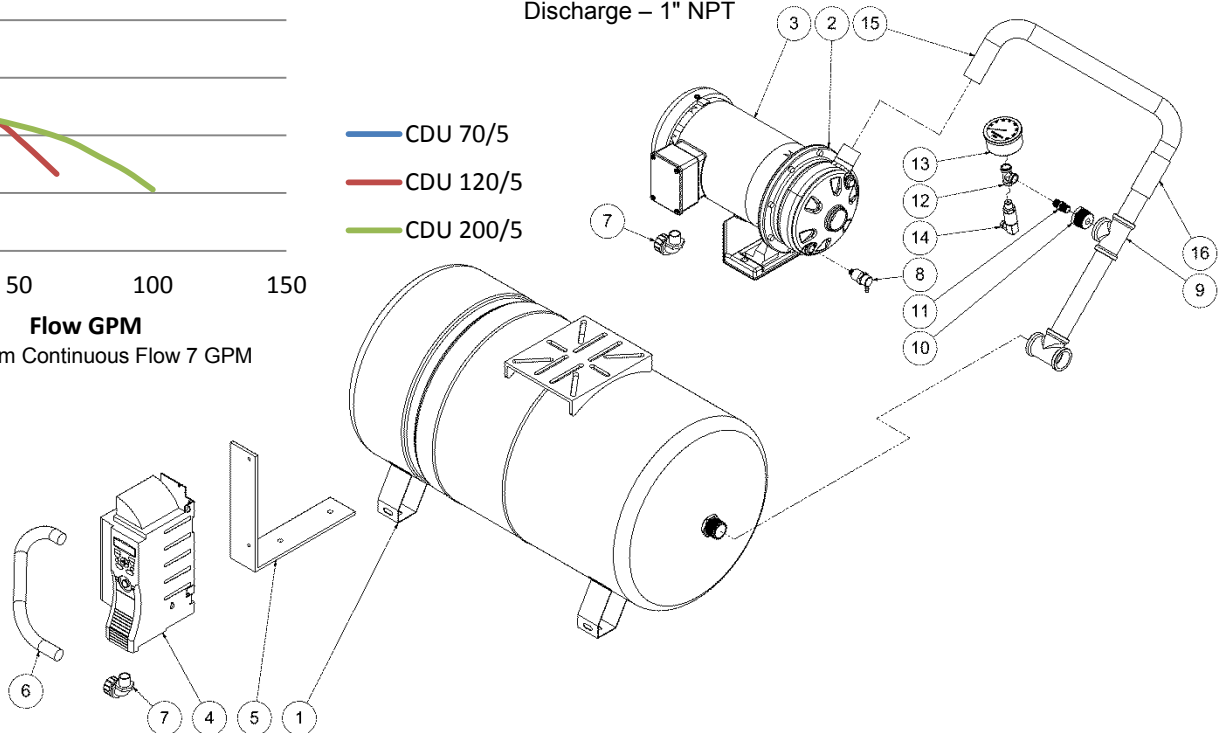
Among its many advantages, the Mini Pak offers the technical design features of:

- ▲ Pre-engineered standard system
- ▲ Programmable set points
- ▲ VFD controls
- ▲ Single (220V) or 3 phase (208-230/460) power
- ▲ Simple system design with a pressure transducer and gauge
- ▲ NSF 304 stainless steel pumps
- ▲ NSF tank (6-1/2, 15 or 20 gallon)

### Mini Pak Family Curve



Suction – 1 1/4" NPT (CDU 70/5 and CDU 120/5)  
 Suction – 1 1/2" NPT (CDU 200/5)  
 Discharge – 1" NPT



ITEM NO.	DESCRIPTION	QTY.
1	BLADDER TANK, 1" NPT FITTING	1
2	EBARA PUMP (CDU70/5-2HP, CDU120/5-3HP, CDU200/5-3HP)	1
3	ELECTRIC MOTOR, TEFC, 56J FRAME, 3600RPM, 208/230/460VAC, STD STEEL SHAFT	1
4	ABB ACS150 VFD DRIVE, NEMA 1	1
5	MOUNTING BRACKET	1
6	CONDUIT NONMETALLIC 1/2"	1
7	CONDUIT FITTING 90 DEG ELBOW, 1/2" NPT	2
8	THERMAL RELIEF VALVE, 1/8" BSPM	1

ITEM NO.	DESCRIPTION	QTY.
9	TEE, 1" NPT	2
10	REDUCER BUSHING, 1" NPT TO 1/4" NPT	1
11	HEX NIPPLE, 1/4" NPT	1
12	PIPE TEE, 1/4" NPT	1
13	PRESSURE GAGE 0-160 PSI	1
14	PRESSURE TRANSDUCER	1
15	COPPER PIPE ASSEMBLY	1
16	IN-LINE CHECK VALVE	1