



Delta P Carver

® We Put the PSI in Water Systems

- Low Operating Cost
- High Head Low Flow Rates
- Any Replacement or Retrofit
- 304 SS Frames & Manifolds
- Variable Speed Drives
- 3 Year Warranty
- 4 - 10 inch Choice for LCD Color Touch Screens



Delta Pak – VM

Domestic Water Booster Systems

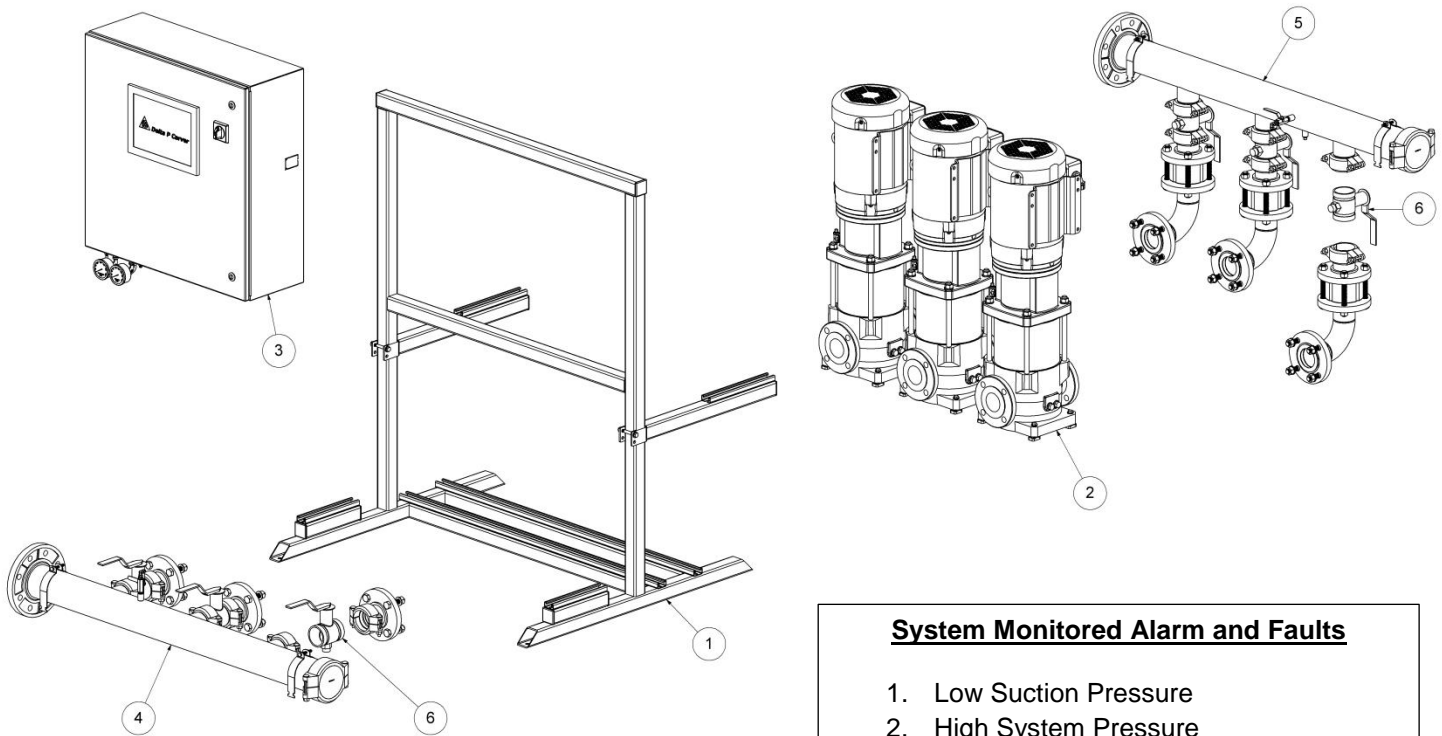
Custom Engineered for Reliability & Efficiency

www.deltapcarver.com

sales@deltapcarver.com

Among its many advantages, the Delta Pak - VM offers the technical design features of:

- ▲ Single Point Power Main Disconnect
- ▲ Manual Motor Protector (MMP) 65KAIC
- ▲ VFD Controls with Programmable Set Points
- ▲ NSF 61/372 System Certification
- ▲ All Valves are NSF Certified
- ▲ Control Panel is UL 508A
- ▲ Individual VFD for Each Pump
- ▲ Low Voltage – 24V DC Touch Safe Controls
- ▲ PLC with Ethernet Capability, Building Communication (BACnet, LONWORKS and More)
- ▲ Simplex, Duplex, Triplex, and Quadraplex
- ▲ Thermo Relief Valve for Each Pump
- ▲ Max System Temperature 248° F
- ▲ Inlet and Outlet Connection Rolled Groove Flange (Welded Flange Optional, ANSI Class 150 or 300)
- ▲ 3 Year System Warranty



System Monitored Alarm and Faults

1. Low Suction Pressure
2. High System Pressure
3. VFD Fault
4. Secondary High System Pressure

| ITEM NO. | DESCRIPTION |
|----------|----------------|
| 1 | Frame Assembly |
| 2 | Pump Assembly |
| 3 | Control Pak |

| ITEM NO. | DESCRIPTION |
|----------|--|
| 4 | Manifold Assembly Suction (600 PSI) |
| 5 | Manifold Assembly Discharge (600 PSI) |
| 6 | Stainless Steel Internal Butterfly Isolation Valve (150/300 PSI) |